
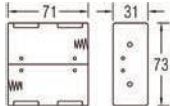



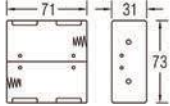
BH111-1A
BH111-1D FOR ONE "D" CELL




BH121-1A
BH121-1B
BH121-1D FOR TWO "D" CELLS


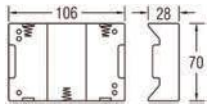
BH121-1AS
BH121-1DS
BH121-1P FOR TWO "D" CELLS

BH125A
BH125D FOR TWO "D" CELLS



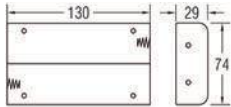

BH131A
BH131B
BH131D FOR THREE "D" CELLS


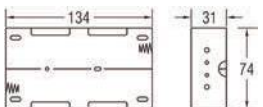
BH132A
BH132D FOR THREE "D" CELLS




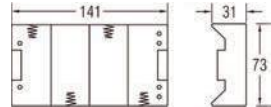

BH141A
BH141D FOR FOUR "D" CELLS

BH142-1A
BH142-1B
BH142-1D FOR FOUR "D" CELLS

BH143-1A
BH143-1D FOR FOUR "D" CELLS


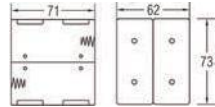
BH143-2A
BH143-2D FOR FOUR "D" CELLS

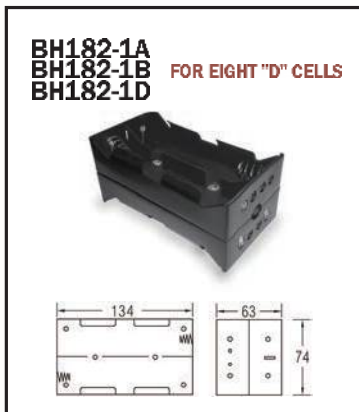
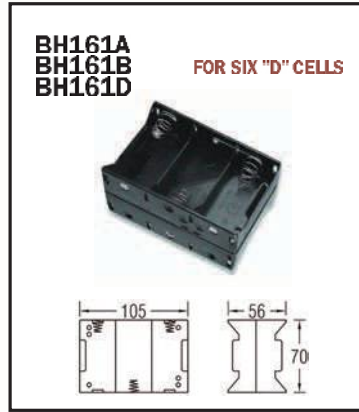



BH143-3A
BH143-3D FOR FOUR "D" CELLS




BH144-1A
BH144-1B
BH144-1D FOR FOUR "D" CELLS



BH211-1A
BH211-1D FOR ONE "C" CELL




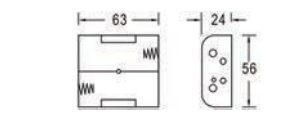

BH211-2A
BH211-2D FOR ONE "C" CELL




BH221A
BH221B
BH211D FOR TWO "C" CELLS




BH221-1A
BH221-1B
BH221-1D FOR TWO "C" CELLS

BH225A
BH225D FOR TWO "C" CELLS




BH231A
BH231D
BH231P FOR THREE "C" CELLS




BH232A
BH232B
BH232D FOR THREE "C" CELLS




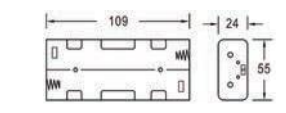

BH241A
BH241D FOR FOUR "C" CELLS




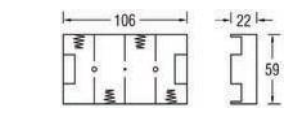

BH242-1A
BH242-1B
BH242-1D FOR FOUR "C" CELLS




BH242-2A
BH242-2B
BH242-2D FOR FOUR "C" CELLS

BH243A
BH243B
BH243D FOR FOUR "C" CELLS

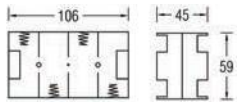

BH261A
BH261B
BH261D FOR SIX "C" CELLS




BH262A
BH262B
BH263D FOR SIX "C" CELLS



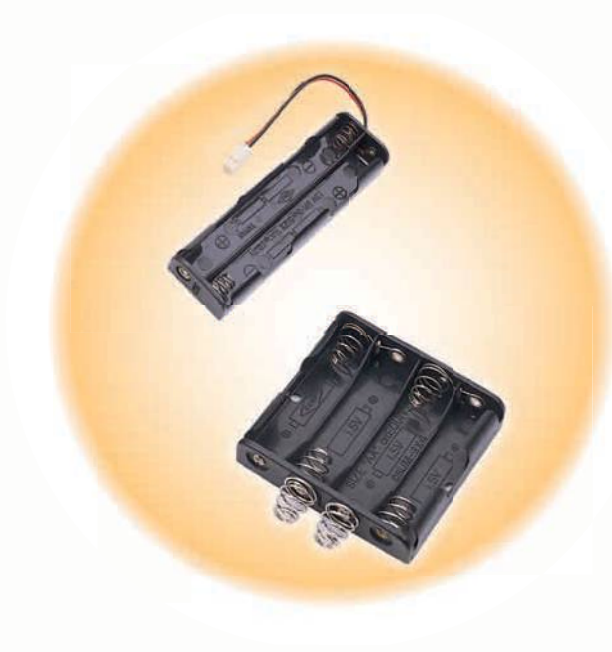
BH281A
BH281B
BH281D FOR EIGHT "C" CELLS



BH282-1A
BH282-1B
BH282-1D FOR EIGHT "C" CELLS



BH282-2A
BH282-2B
BH282-2D FOR EIGHT "C" CELLS **NEW**



BH311-1A
BH311-1D
BH311-1P FOR ONE "AA" CELL




BH311-2A
BH311-2D
BH311-2P FOR ONE "AA" CELL




BH311-3A
BH311-3D
BH311-3P FOR ONE "AA" CELL




BH321-1A
BH321-1B
BH321-1D
BH321-1P FOR TWO "AA" CELLS




BH321-1AS
BH321-1DS FOR TWO "AA" CELLS




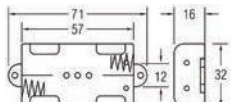

BH321-2A, AS
BH321-2D
BH321-2P FOR TWO "AA" CELLS




BH321-3A
BH321-3D
BH321-3P FOR TWO "AA" CELLS




BH321-4A
BH321-4D
BH321-4P FOR TWO "AA" CELLS

BH321-5A
BH321-5B
BH321-5D
BH321-5P FOR TWO "AA" CELLS




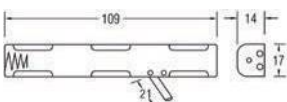

BH322-1A
BH322-1B
BH322-1D FOR TWO "AA" CELLS




BH324A
BH324D FOR TWO "AA" CELLS




BH325A
BH325AS FOR TWO "AA" CELLS


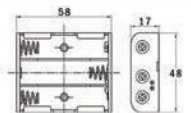
BH325-1A
BH325-1AS FOR TWO "AA" CELLS




BH331-2A
BH331-2B FOR THREE "AA" CELLS
BH331-2D
BH331-2P




BH331-3A
BH331-3B FOR THREE "AA" CELLS
BH331-3D
BH331-3P

BH332A FOR THREE "AA" CELLS




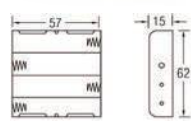

BH333A
BH333D FOR THREE "AA" CELLS
BH333P




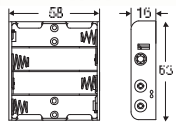

BH341-1A
BH341-1B FOR FOUR "AA" CELLS
BH341-1D
BH341-1P




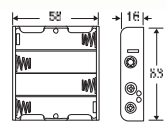

BH341-2A
BH341-2B FOR FOUR "AA" CELLS
BH341-2D
BH341-2P

BH341-4A
BH341-4B FOR FOUR "AA" CELLS
BH341-4D
BH341-4P

BH341-6A
BH341-6B FOR FOUR "AA" CELLS
BH341-6D
BH341-6P

BH342-1A
BH342-1B FOR FOUR "AA" CELLS
BH342-1D




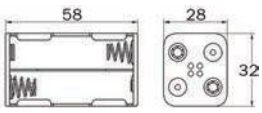

BH343-1A
BH343-1B FOR FOUR "AA" CELLS
BH343-1D




BH343-2A
BH343-2B FOR FOUR "AA" CELLS
BH343-2D




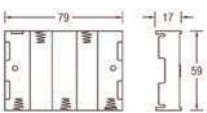

BH343-3A
BH343-3B FOR FOUR "AA" CELLS
BH343-3D

BH344A
BH344B FOR FOUR "AA" CELLS
BH344D
BH344P




BH351A
BH351B FOR FIVE "AA" CELLS
BH351D

BH361A
BH361B FOR SIX "AA" CELLS
BH361D




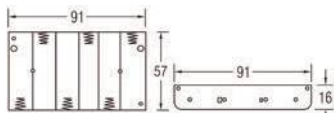

BH362A
BH362B FOR SIX "AA" CELLS
BH362D
BH362P




BH363-1A
BH363-1B FOR SIX "AA" CELLS
BH363-1D




BH364A
BH364D FOR SIX "AA" CELLS


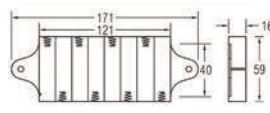
BH365A
BH365B FOR SIX "AA" CELLS
BH365D




BH381A
BH381B FOR EIGHT "AA" CELLS
BH381D




BH381-2A
BH381-2B FOR EIGHT "AA" CELLS
BH381-2D

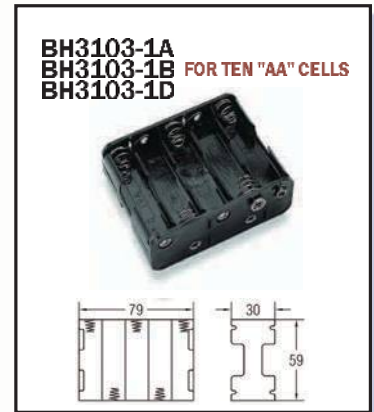
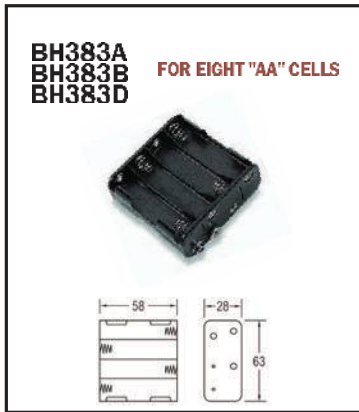



BH381-3A
BH381-3B FOR EIGHT "AA" CELLS
BH381-3D




BH382A
BH382B FOR EIGHT "AA" CELLS
BH382D



UM- 4 or 'AAA' SIZE or EQUIV

BH411-2A
BH411-2D FOR ONE "AAA" CELL
BH411-2P

BH411-3A
BH411-3D FOR ONE "AAA" CELL
BH411-3P

BH411-4A
BH411-4D FOR ONE "AAA" CELL
BH411-4P

BH421A
BH421B FOR TWO "AAA" CELLS
BH421D
BH421P

BH421-1A
BH421-1B FOR TWO "AAA" CELLS
BH421-1D
BH421-1P

BH421-3A
BH421-3B FOR TWO "AAA" CELLS
BH421-3D
BH421-3P

BH421-4A
BH421-4B FOR TWO "AAA" CELLS
BH421-4D
BH421-4P

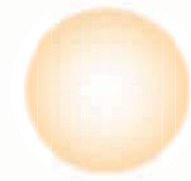
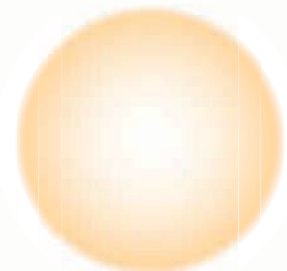
BH422A
BH422B FOR TWO "AAA" CELLS
BH422D

BH422-1A
BH422-1B FOR TWO "AAA" CELLS
BH422-1D

BH425A
BH425D FOR TWO "AAA" CELLS
BH425P

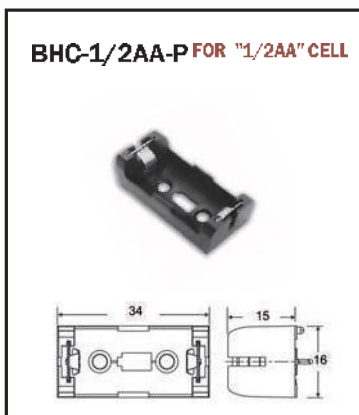
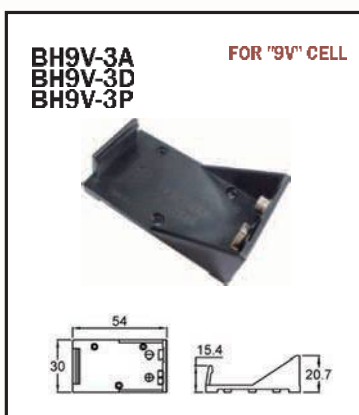
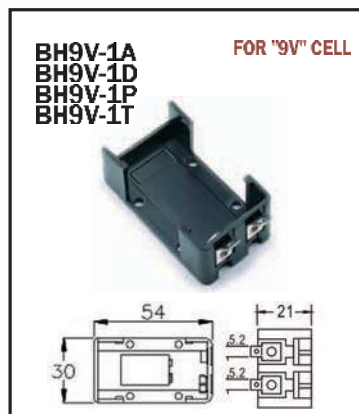
BH431-1A
BH431-1B FOR THREE "AAA" CELLS
BH431-1D
BH431-1P

BH431-2A
BH431-2B FOR THREE "AAA" CELLS
BH431-2D **NEW**
BH431-2P



UM- 5 or 'N' SIZE or EQUIV





BATTERY HOLDER CONTACT

SAI ISO 9001
SAI ISO 14001



Patent of Battery Holder Contact:

TW PAT NO. M 485568
CH PAT NO. ZL 201420309549.4
GE PAT NO. Nr. 202014007329.5

Patent Applications: US, UK, SG, ID.....





Automatic Machines for Battery Holder Contact



SAFETY BATTERY HOLDER

SAI ISO 9001
SAI ISO 14001

**SBH-131A
SBH-131B
SBH-131D** **FOR THREE "D" CELLS**

**SBH-141A
SBH-141B
SBH-141D** **FOR FOUR "D" CELLS**

**SBH-221A
SBH-221AS** **FOR TWO "C" CELLS**

**SBH-231A
SBH-231B
SBH-231D** **FOR THREE "C" CELLS**

**SBH-321-1A
SBH-321-1AS** **FOR TWO "AA" CELLS**

SBH-321-2A **FOR TWO "AA" CELLS**

SAFETY BATTERY HOLDER


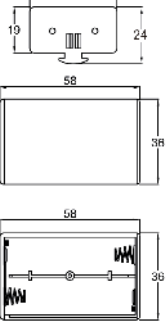
SAI ISO 9001
SAI ISO 14001

SBH-321-3A
SBH-321-3AS **FOR TWO "AA" CELLS**




Bottom

SBH-321-4A
SBH-321-4AS
SBH-321-4D
SBH-321-4DS **FOR TWO "AA" CELLS**

Bottom

SBH-331A
SBH-331AS **FOR THREE "AA" CELLS**




Bottom

SBH-331-2A
SBH-331-2AS **FOR THREE "AA" CELLS**




Bottom

SBH-341-1A
SBH-341-1AS **FOR FOUR "AA" CELLS**




Bottom

SBH-341-2A
SBH-341-2AS **FOR FOUR "AA" CELLS**




Bottom

SAFETY BATTERY HOLDER

SAI ISO 9001
SAI ISO 14001

**SBH-341-3A
SBH-341-3AS
SBH-341-3S/USB**

FOR FOUR "AA" CELLS




Bottom

**SBH-341-4A
SBH-341-4AS**

FOR FOUR "AA" CELLS




Bottom

**SBH-361A
SBH-361D**

FOR SIX "AA" CELLS




Bottom

**SBH-381A
SBH-381AS**

FOR EIGHT "AA" CELLS




Bottom

SBH-3201S/MV

FOR TWENTY "AA" CELLS




Bottom

**SBH-421-1A
SBH-421-1AS**

FOR TWO "AAA" CELLS




Bottom

SAFETY BATTERY HOLDER

SAI ISO 9001
SAI ISO 14001

SBH-421-2A FOR TWO "AAA" CELLS

Bottom

SBH-431A
SBH-431B
SBH-431D
SBH-431P FOR THREE "AAA" CELLS

Bottom

SBH-431-1A
SBH-431-1AS FOR THREE "AAA" CELLS

Bottom

SBH-431-2A
SBH-431-2AS
SBH-431-2S/2LED FOR THREE "AAA" CELLS

Bottom

SBH-441A
SBH-441AS FOR FOUR "AAA" CELLS

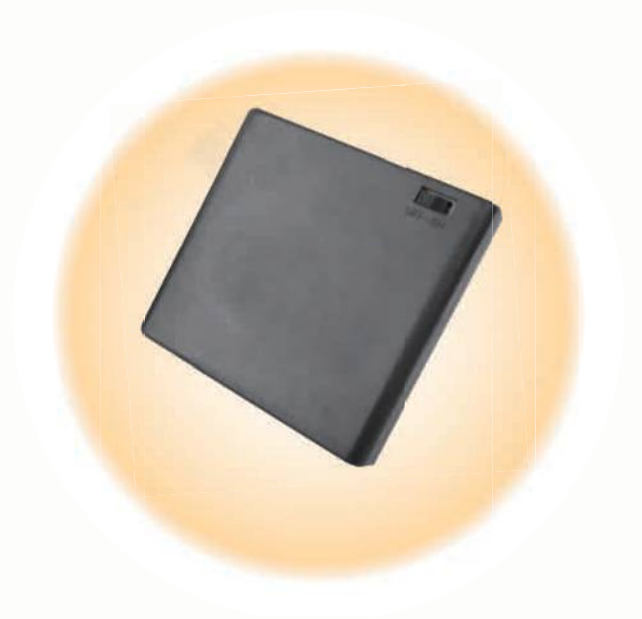
Bottom

SBH-9VA
SBH-9VAS
SBH-9VP FOR ONE "9V" CELL

Bottom

SAFETY BATTERY HOLDER


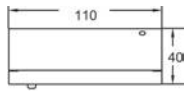
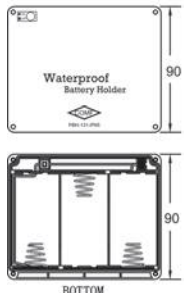
SAI ISO 9001
SAI ISO 14001



WATERPROOF BATTERY HOLDER

SAI ISO 9001
SAI ISO 14001

PBH-131-IP65 FOR THREE "D" CELLS **NEW**

Dimensions: 110 (width), 40 (height), 90 (depth), 90 (bottom depth).

PBH-321-IP65 FOR TWO "AA" CELLS **NEW**





Dimensions: 19.5 (width), 35 (height), 75 (depth), 75 (bottom depth), 35 (bottom depth).

PBH-331-IP65 FOR THREE "AA" CELLS **NEW**





Dimensions: 19.5 (width), 50 (height), 75 (depth), 50 (bottom depth).

PBH-341-IP65 FOR FOUR "AA" CELLS **NEW**





Dimensions: 19.5 (width), 65 (height), 75 (depth), 65 (bottom depth).

PBH-341-IP68 FOR FOUR "AA" CELLS **NEW**





Dimensions: 79 (width), 21 (height), 23 (height), 67 (depth), 67 (bottom depth).



Patent of Waterproof Battery Holder:
TW PAT NO. M 523262



CH01-2032AS FOR TWO CR2032 CELLS **NEW**

CH23-1220 FOR CR1220

CH23-1225 FOR CR1225

CH25-2032 FOR CR2032

CH25-2325 FOR CR2325

CH26-2032 FOR CR2032

CH28-2032 FOR CR2032

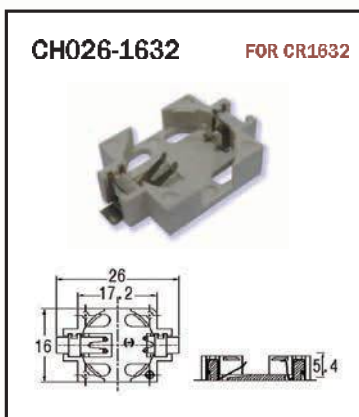
CH29-2032 FOR CR2032

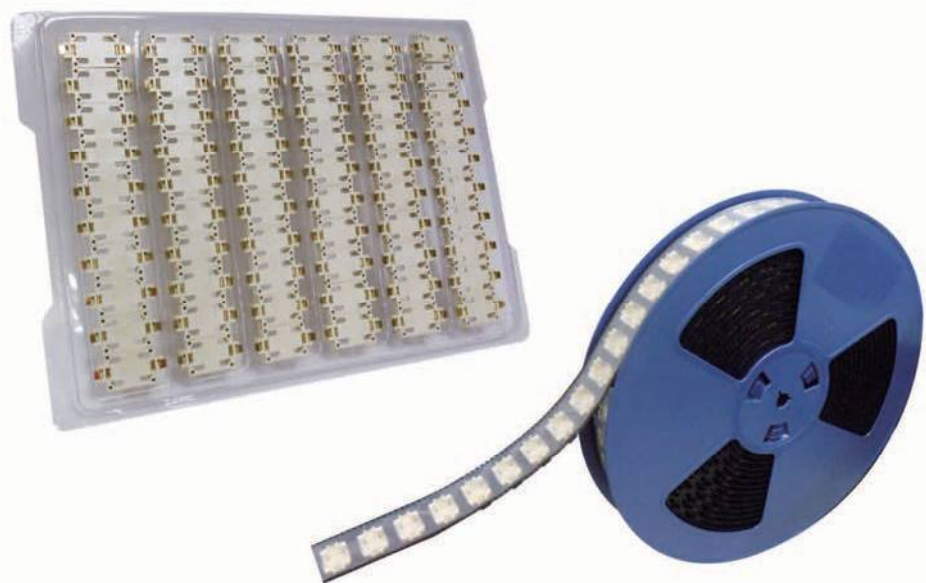
CH74-2032 FOR CR2032

CH002-2425 FOR CR2425

CH004-2032 FOR CR2032

CH005-2032 FOR CR2032
















TYPE: I, E, T, P

PATENT OF BATTERY SNAP:

CRIMPING: CH PAT NO. ZL 93 2 11734.1 CT-CRIMPING: CH PAT NO. ZL 01 2 24559.3
 TW PAT NO. 88476 GE PAT NO. Nr. 201 10 120.3
 U.S. PAT NO. 5.312.269 TW PAT NO. 198102
 UK PAT NO. 2277838 U.S. PAT NO. 6,478,633B1
 VN PAT NO. HI-0144
 ZA PAT NO. 94/2542

FOR 9V CELL

TYPE	CRIMPING			
	PVC. VINYL	RIGID		SAFETY
I	BS-IC 	BS-IR 	BS-IR-1 	SBS-IR-1 
E	BS-EC 	BS-ER 	BS-ER-1 	SBS-ER 
T	BS-TC 	BS-TR 	---	---
P	BS-PC 	---	---	---

CYLINDRICAL TERMINAL RIVET (CT-CRIMPING)














ADVANTAGES:

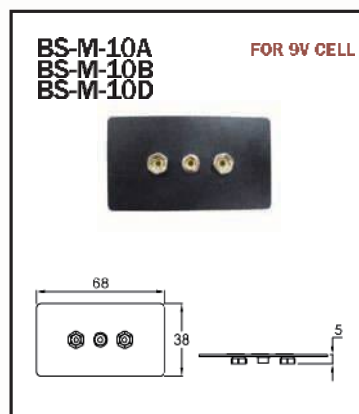
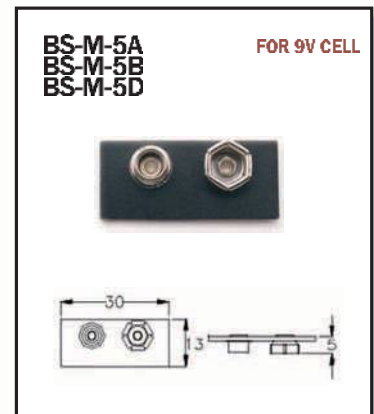
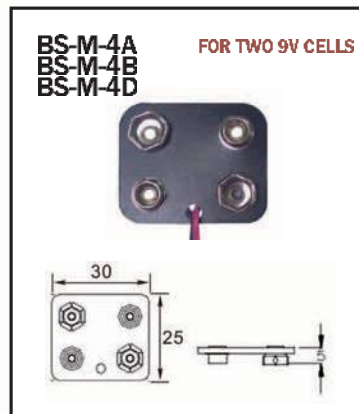
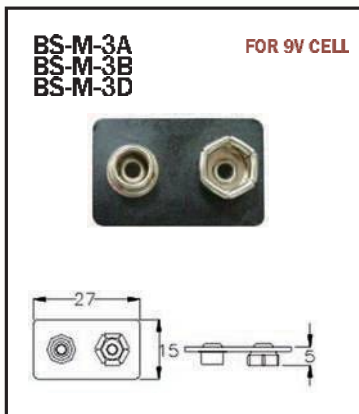
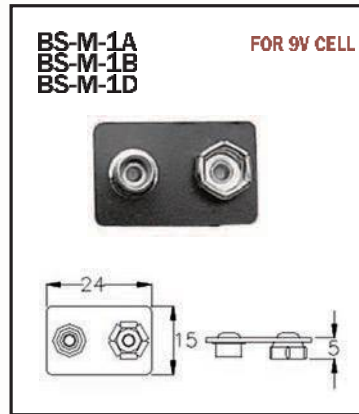
LeadFree

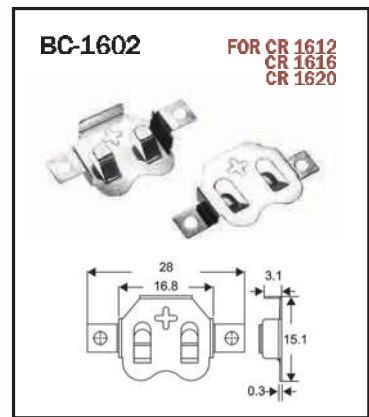
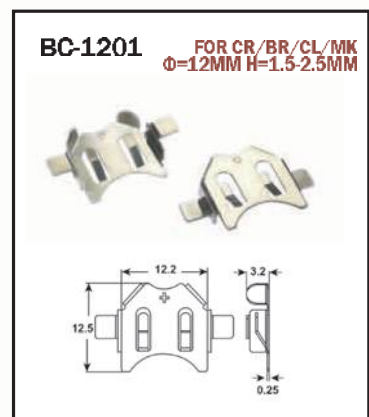
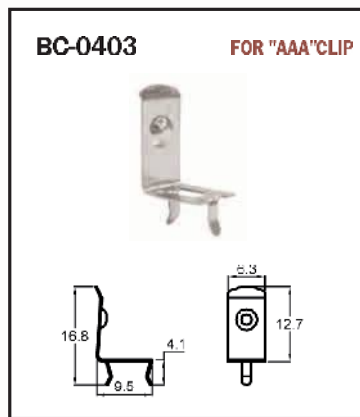
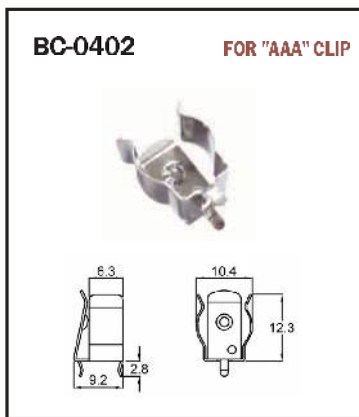
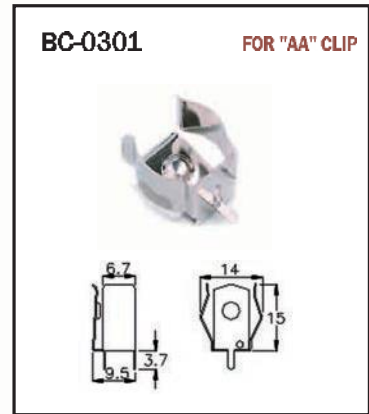
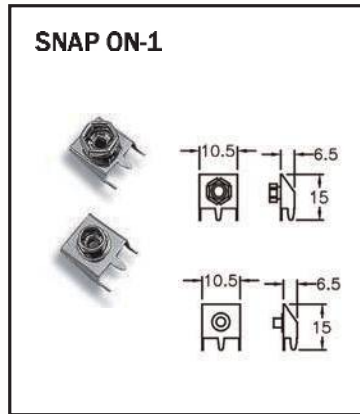
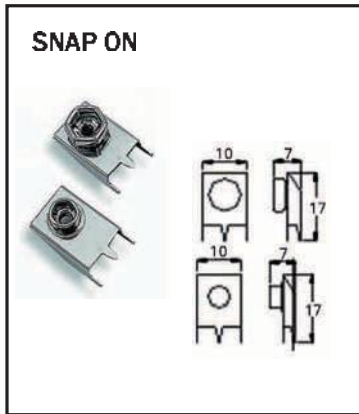
Prevent the foreign liquid spread into riveted spot.

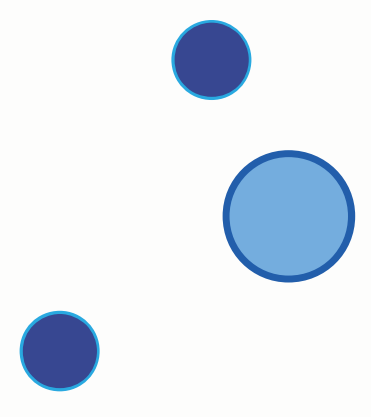
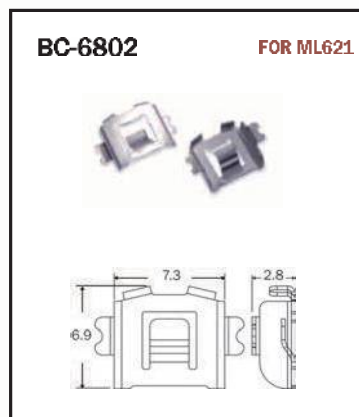
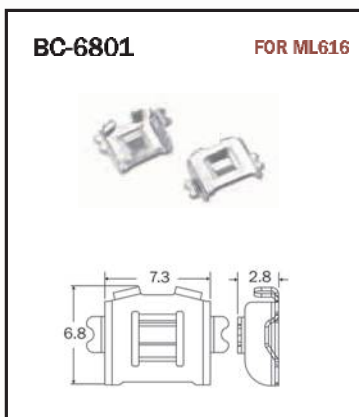
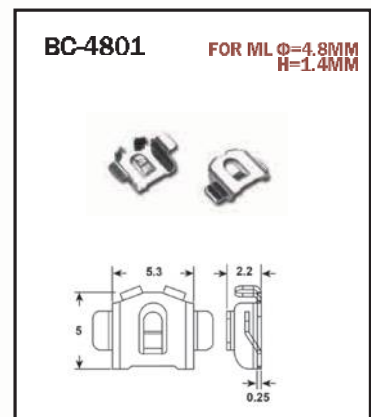
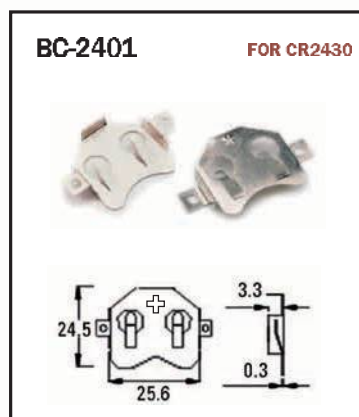
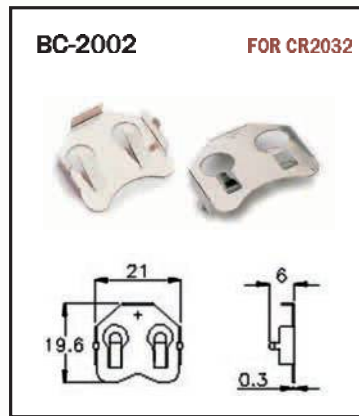
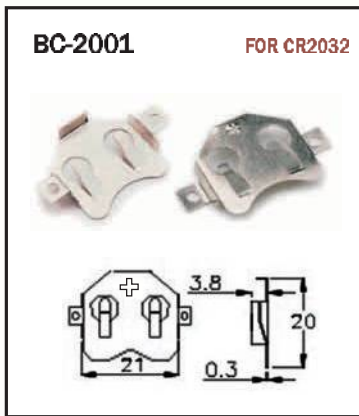
Increase the torque strength

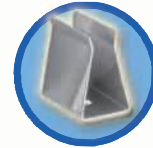
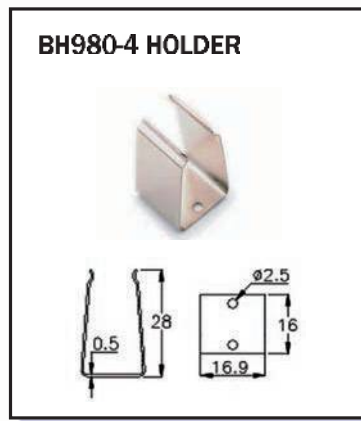
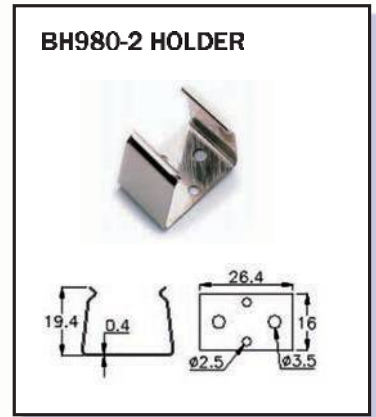
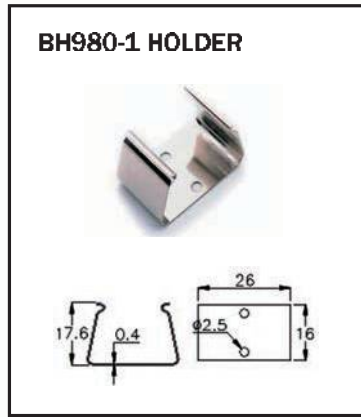
FOR 9V CELL

TYPE	CT-CRIMPING			
	PVC. VINYL	RIGID		SAFETY
I	BS-ICCT 	BS-IRCT 	BS-IRCT-1 	SBS-IRCT-1 
E	BS-ECCT 	BS-ERCT 	BS-ERCT-1 	SBS-ERCT 
T	BS-TCCT 	BS-TRCT 	-----	-----
P	BS-PCCT 	-----	-----	-----





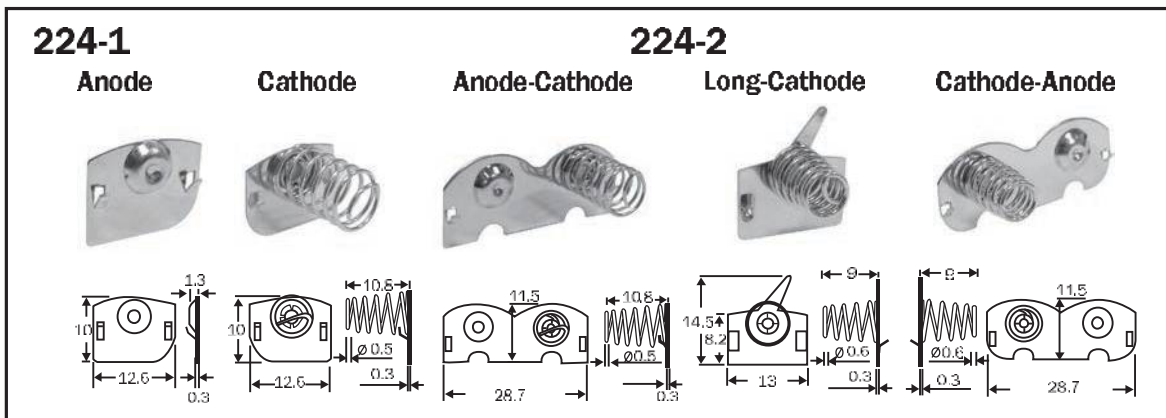
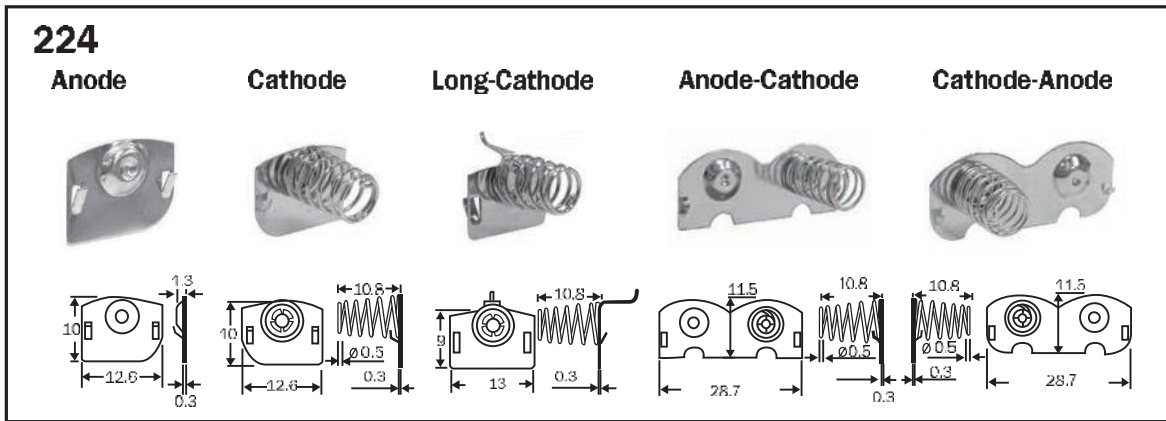
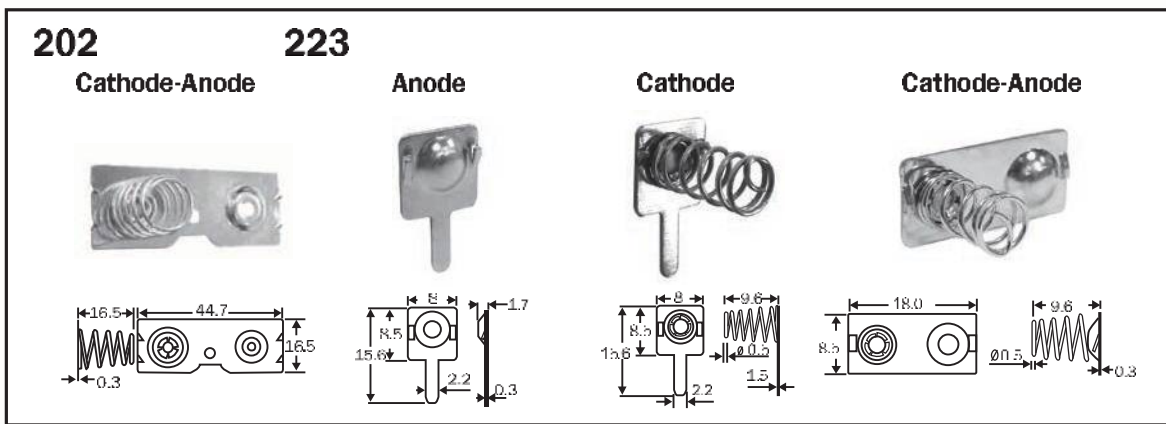
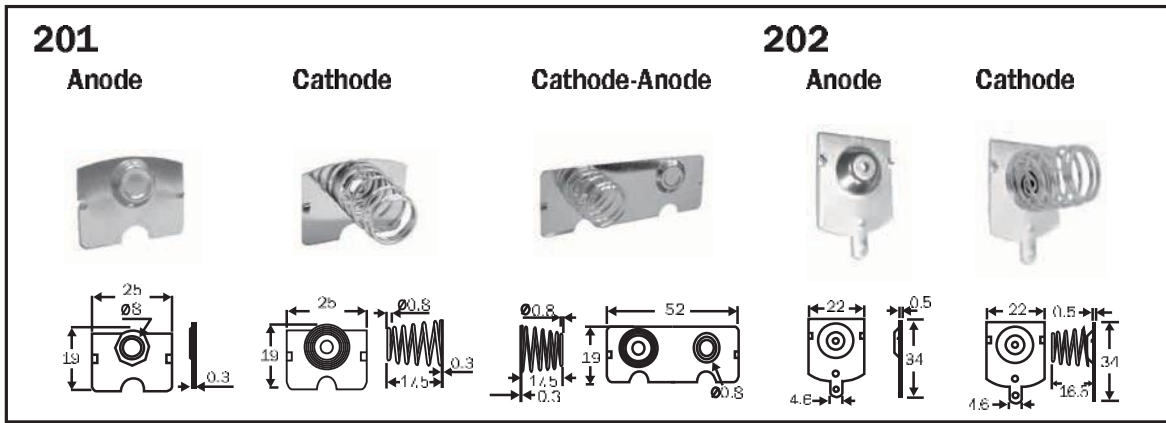


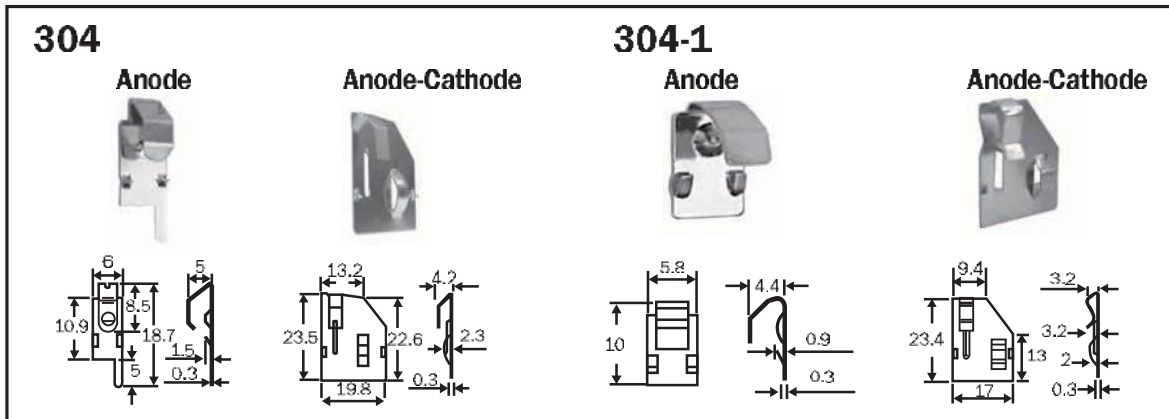
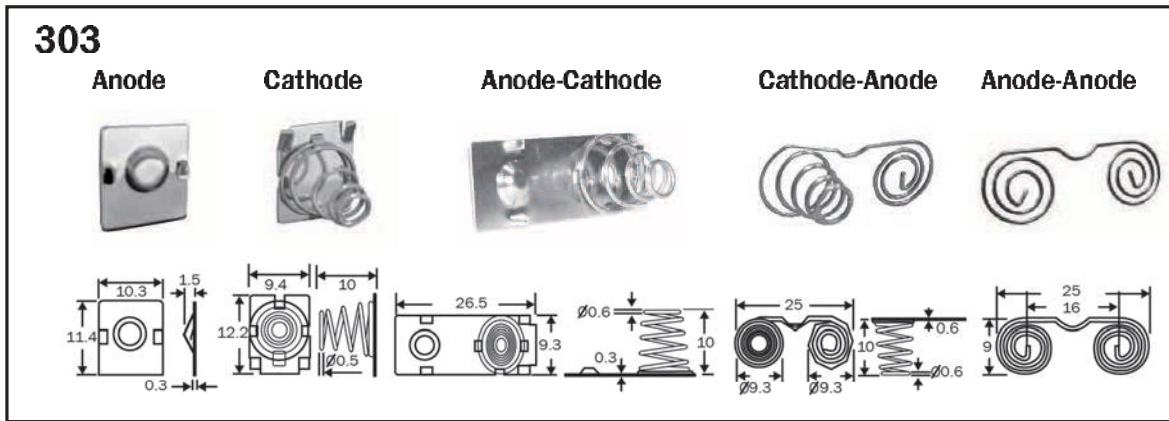
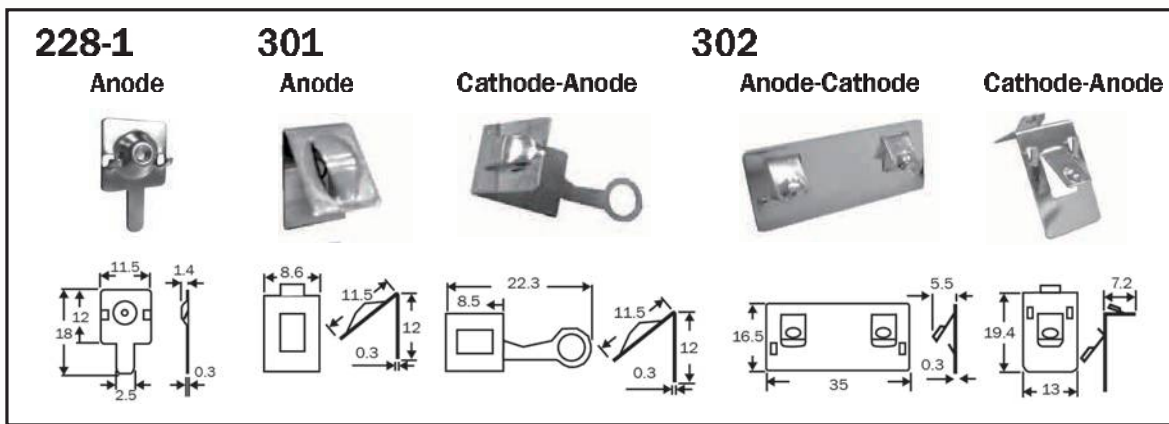
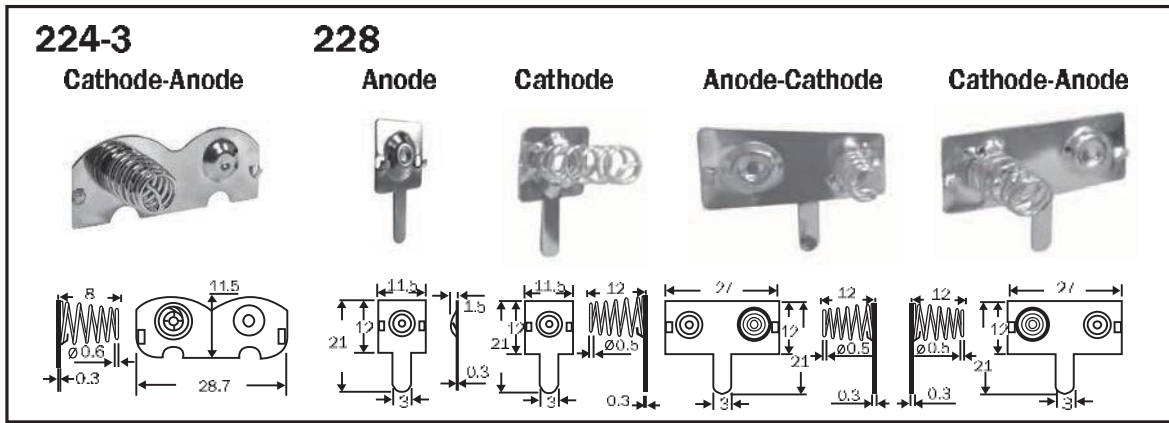




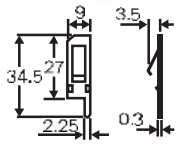
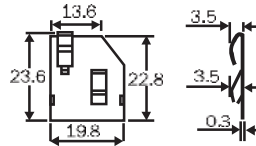


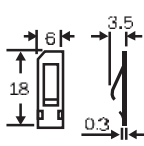
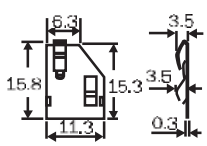
彈片平整度檢測 / 校正儀
Flatness analyzer for battery clips





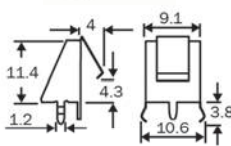
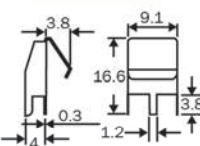
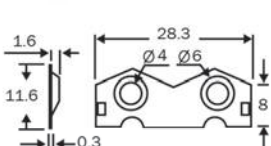
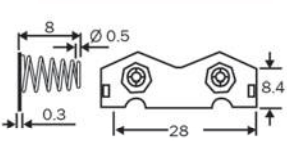




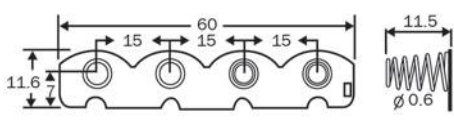
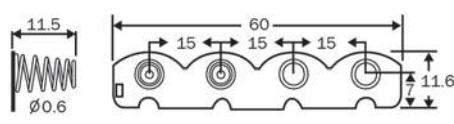
2.5D 影像測量儀
2.5D Vision Measuring Machine




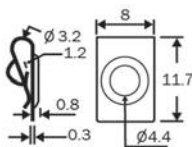
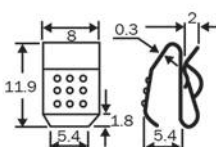
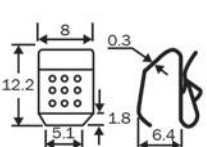

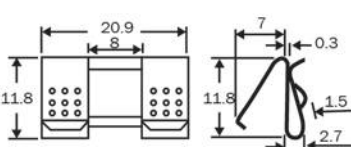






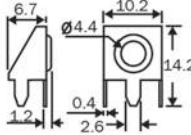
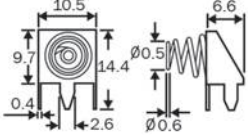
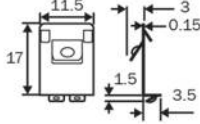
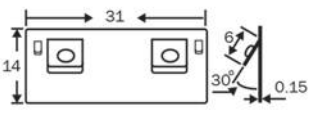






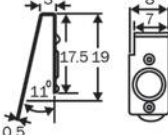
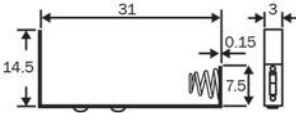
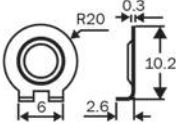
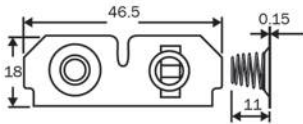
304-2	304-3
Anode	Anode-Cathode
	
	
Anode	Anode-Cathode
	
	





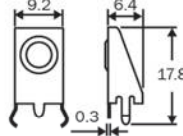
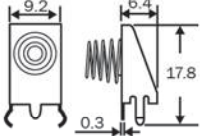
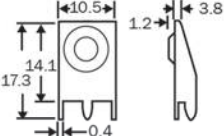
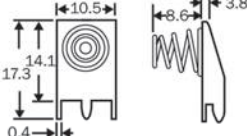
305	306	307	
Anode	Anode	Anode-Anode	Cathode-Cathode
			
			




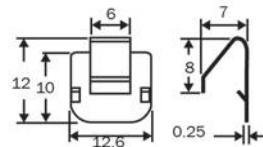
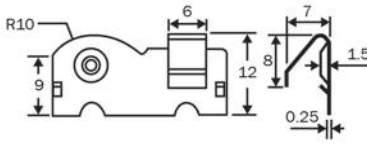
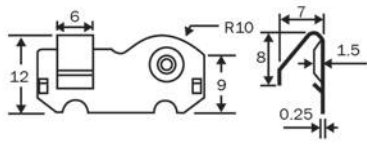
307	
Double Anode-Cathode	Double Cathode-Anode
	
	

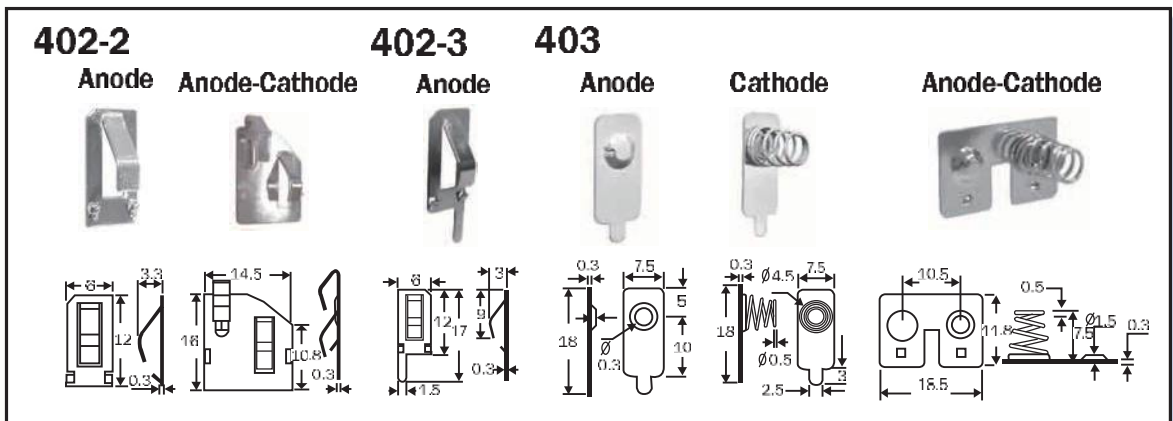
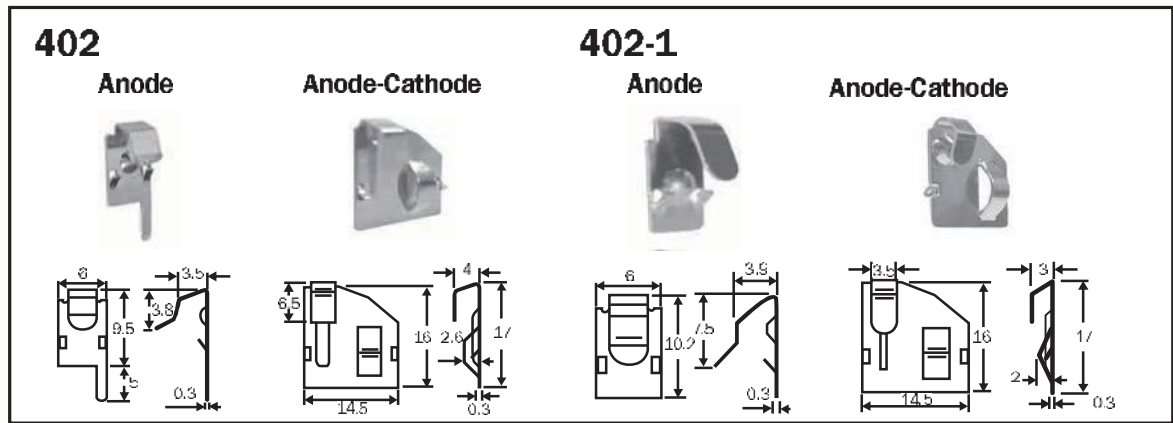
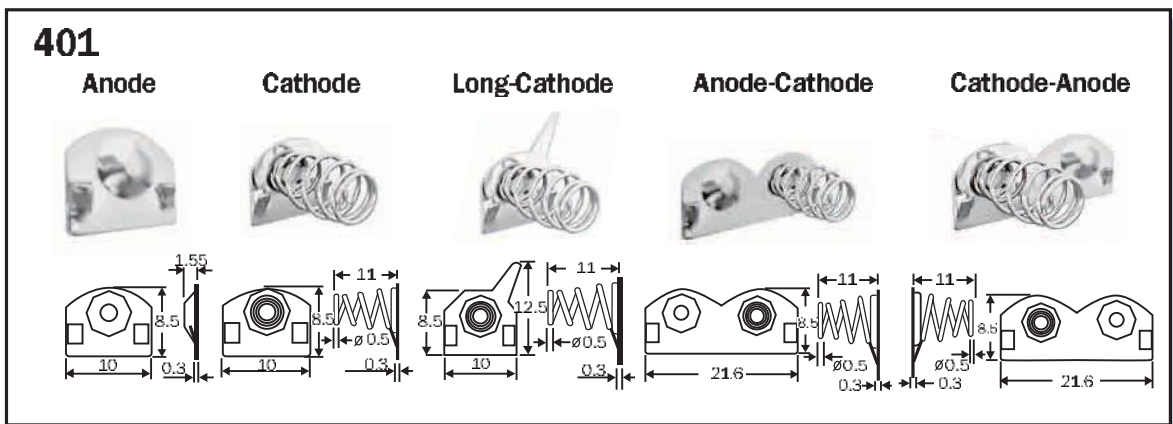
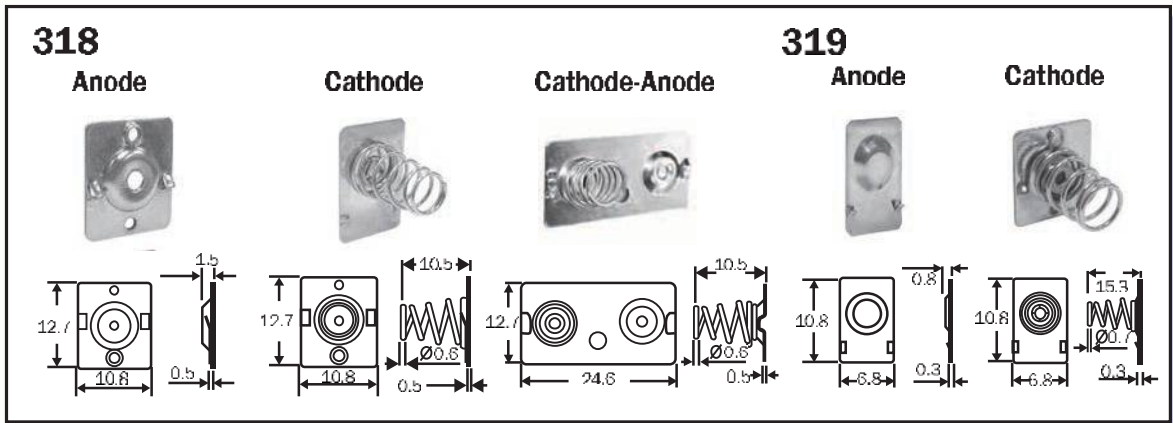
308		308-1
Anode	Cathode	Cathode
		
		
	Cathode-Cathode	
		
		

309	310
Anode	Anode
Cathode	Anode-Cathode
 	 
 	 

311	313
Anode	Anode
Long-Cathode	Cathode-Anode
 	 
 	 

314	315-1
Anode	Anode
Cathode	Cathode
 	 
 	 

317		
Cathode	Anode-Cathode	Cathode-Anode
  		
  		





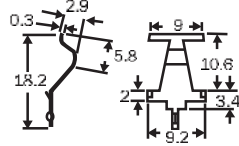
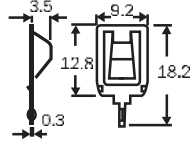
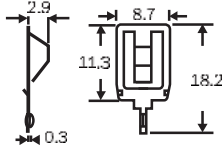
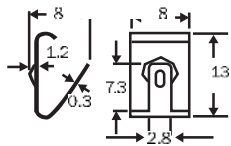






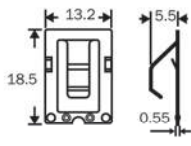
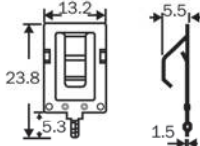
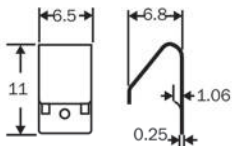
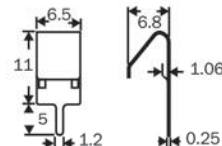
404			405	
Anode	Cathode	Cathode-Cathode	Anode	Cathode

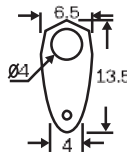
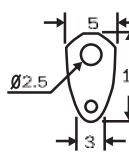
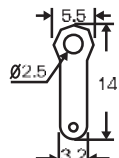
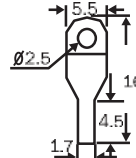
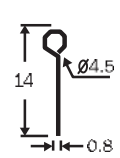
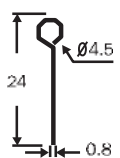
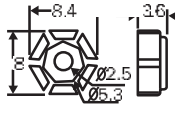
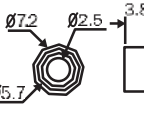
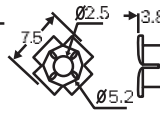
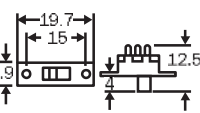
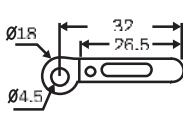
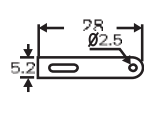
406		407	
Anode	Anode-Cathode	Cathode	

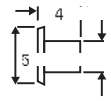
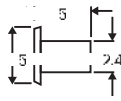
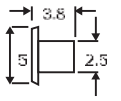
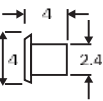
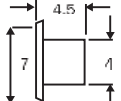
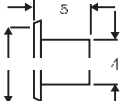
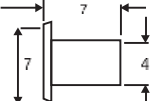
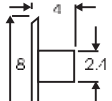
407		407	
Anode-Cathode	Cathode-Anode	Outside Anode	Outside Cathode

408		409		
Anode	Cathode	Anode	Cathode	Cathode-Anode

CR123A Anode/Cathode	Anode	BHC-2/3 Anode	9V Cathode
			
			

18650 Anode/Cathode	Pin Anode/Cathode	BH-3.6V Anode/Cathode	Pin Anode/Cathode
			
			

Big Contact	Small Contact	Long Contact	P2 Contact	Pin14 Contact	Pin24 Contact
					
Female Contact (6 Prong)	Male Contact	Female Contact (4 Prong)	Switch	Metal Switch (big)	Metal Switch (small)
					

Rivet							
5x2.4x4	5x2.4x5	5x2.5x3.8	4x2.4x4	7x4x4.5	7x4x5	7x4x7	8x2.4x4
							
Contact	Hook (0.8)	Hook (0.8x40)	Hook (0.8x19)	Hook (0.8x17)	Hook (0.8x33)	Hook (0.8x31)	Hook (0.8x31)
